

# P-2000Ex Electropneumatic positioner



Intrinsically safe...for use in hazardous areas

## Description

The PMV P-2000Ex series positioner is one of the sturdiest, reliable electropneumatic positioners for use in hazardous locations on the market.

It is approved intrinsically safe by UL, CSA and Cenelec. Controlling air delivery with the PMV standard spool valve assembly and receiving the input signal through our voice coil magnet unit assembly, this positioner offers a wide range of features and benefits.

In addition to the standard P-2000Ex a high air delivery capacity version is available, P-2020Ex, both with internal gain adjustment as standard.




As with other PMV positioners, the easy to reach span and zero adjustment makes this model very simple to calibrate.



PMV Electropneumatic rotary positioner models P-2000Ex.

## Features and benefits

- Rugged design for harsh industrial environments.
- Simple, easy to calibrate.
- Low air consumption.
- High air delivery capacity.
- Internal gain adjustment.
- Bright, visible indicator.
- Mounting kits for a variety of actuators-rotary and linear.

- Split range cam standard.
- Easy to convert from direct function to reverse function.
- Positive internal pressure helps keep the unit clean and dry.
- Approved —   

## Options

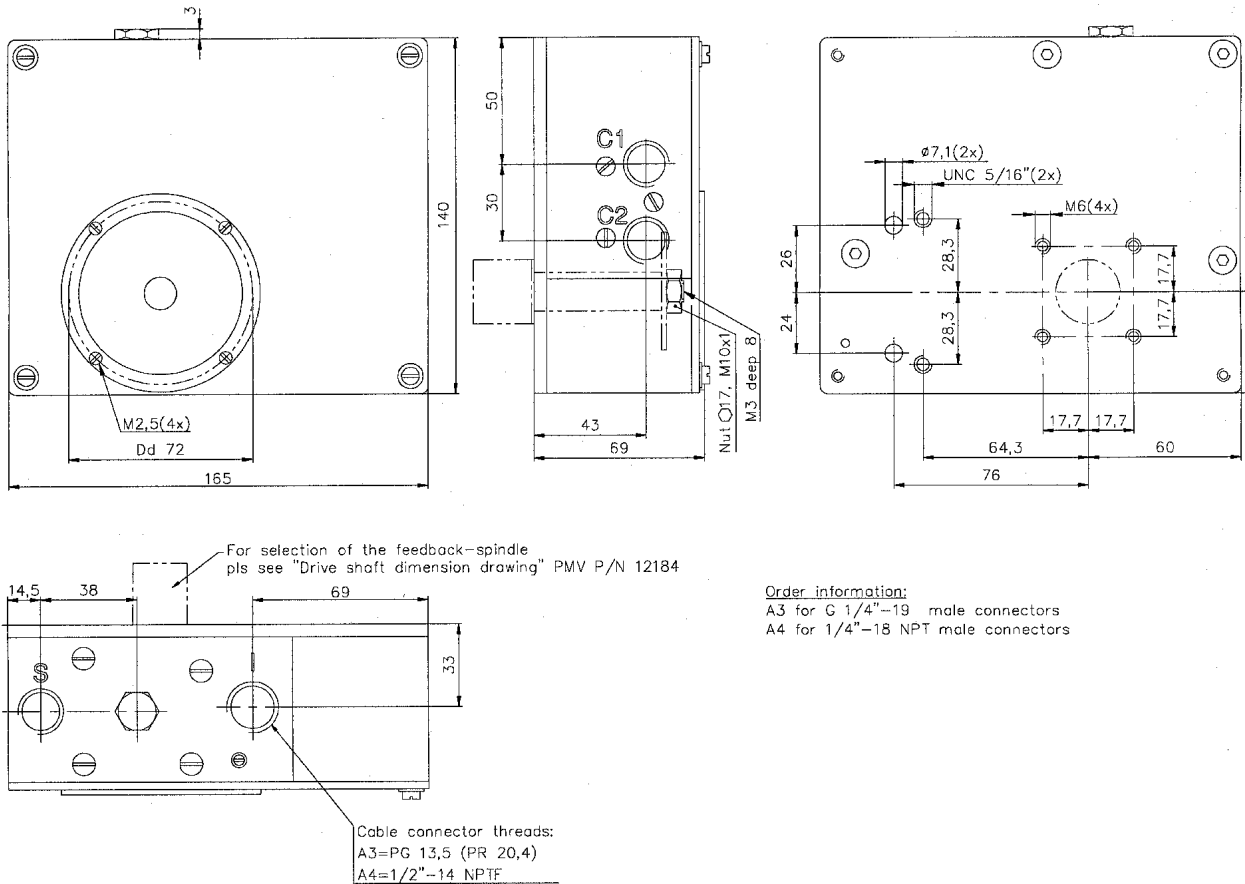
- Corrosion resistant Tuftram® treatment.
- Variety of spindles and characterized cams.

## Technical Specifications:

Input signal		0-20 / 4-20 mA
Air supply		2-8 bar (30-120 psi) Oil free, dry air filtered to 25 micron
Air Connections		1/4" G or NPT
Electrical connection		PG 13,5 or 1/2" NPT
Terminals		4 mm <sup>2</sup> (AWG 11) screw terminals
Linearity %*		± 0,5
Repeatability %*		0,5
Hysteresis + deadband %*		1
Gain factor		Adjustable 3 to 26 %/% ISA 75. 13-1989
Air delivery capacity	P-2000	Adjustable 50-400 kPa/kPa at 20% load
	P-2020	340 nl/min (12 SCFM) at 0.6 Mpa/87 Psi
Air consumption	P-2000	450 nl/min (15,7 SCFM) at 0.6 Mpa/87 Psi
	P-2020	10 nl/min (0,35 SCFM) at 0.6 Mpa/87 Psi
		20 nl/min (0,71 SCFM) at 0.6 Mpa/87 Psi
Supply pressure effect		0.75%/100 kPa (15 Psi)
Position sensitivity		0.25% of span
EMC		89/336/EEC & 92/31/EEC
Internal resistance		Max 240 Ω
Temp range		-15 to 85°C (5 to 185°F)
High temp option		-15 to +110°C (5 to 230°F)
Materials, surface treatment		Aluminium anodized, stainless steel
Fasteners		Zincified steel
Ingress protection		IP54/NEMA 3R
Weight		2.7 kg/lbs 5.4
Approvals:		
CENELEC		..... EEx ib IIC T4-T6
UL		..... Class I Group ABCD Div. 1
		..... Class II Group EFG Div. 2
		..... Class III
CSA		..... Class I Group CD, Div.2
		..... Class I Group ABCD
		..... Class I Group ABCD, Div.2

\*% of full scale

# Dimensional Drawing



## Ordering Information

1. Model	P-2000Ex or P-2020Ex	Standard or High air delivery capacity
2. Air connections	N or G	NPT 1/4" or G 1/4"
3. Surface treatment	E	Anodised
4. Spindle	01, 23 etc	C1 to C34. See dwg SPNDLSP_2000
5. Cam	F01, F20 etc	F01 to F51, F01 = linear 90 deg, standard
6. Front cover	B456, B473 or B478	Cenelec, CSA or UL approval, Flag indicator
7. Temperature/gain	ZN	Nitrile seals -15 deg C/Normal gain springs

Example: P2000ExNE-23F01-B456-ZN  
 1 2 3 4 5 6 7



Palmstiernas Instrument AB  
 Tulegatan 15  
 SE-113 53 Stockholm  
 SWEDEN  
 Tel: +46 (0) 8 555 106 00  
 Fax: +46 (0) 8 555 106 01  
 E-mail: info@pmvpositioners.com  
 Internet: www.pmvpositioners.com

### SUBSIDIARIES:

PMV Controls Ltd  
 Headlands Business Park  
 Ringwood  
 Hampshire BH24 3PB  
 ENGLAND  
 Tel: +44 (0) 1425 48 08 88  
 Fax: +44 (0) 1425 48 08 89  
 E-mail: sales@pmv-controls.ltd.uk

PMV-USA, Inc  
 1440 Lake Front Circle  
 Unit 160  
 The Woodlands, Texas 77380  
 USA  
 Tel: +1 281 292 7500  
 Fax: +1 281 292 7760  
 E-mail: pmvusa@pmvusa.com  
 Internet: www.pmvusa.com

PMV GmbH  
 Postfach 2310  
 D-41554 Kaarst  
 GERMANY  
 Tel: +49 2131 667 081/82  
 Fax: +49 2131 667 083  
 E-mail: hs.pmv@ambos.co.at

Palmstiernas Svenska AB  
 Box 21  
 S-663 21 Skoghall  
 SWEDEN  
 Tel: +46 (0) 54 52 14 70  
 Fax: +46 (0) 54 52 14 42  
 E-mail: info@palmstiernas.se  
 Internet: www.palmstiernas.se

